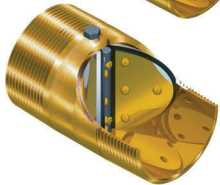
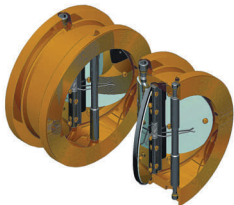


## US Valve Check Valves



Male NPT Connections



Flanged Connections  
4" & Larger

- Resilient Hinged Double Disc Valve Provides High Performance With Minimal Pressure Drop
- Unique Air Foil Design Reduces Turbulence, Extending Valve Life
- Standard Protective Coating Provides Resistance to Normal Atmospheric Corrosion & Enhances Appearance Making Priming and Painting the Check Valves Unnecessary
- Construction: Carbon Steel Body ( 0710 Series) Cast Iron Body (0920 Series) Aluminum Internals, 316 Stainless Steel Spring (Where Applicable) Buna N Seals ( 200° F Continuously or 225° F Intermittently)
- Maximum Operating Pressure 250 PSI
- Rated for 29" Hg
- 3" and Smaller Check Valves Are Male NPT Connections
- 4" and Larger Check Valves Are Wafer Design To Fit Between Customer Supplied 150# Flanges
- For Low Flow or Vertical Piped Installations Use the 071-OSP & 092-OSP Series With Springs

Optional Body Material Available  
Carbon Steel, Brass and Stainless Steel

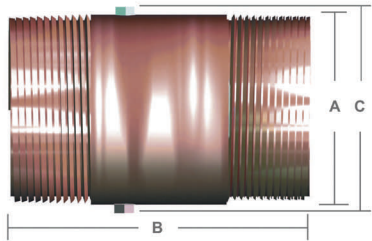
Optional Seal Materials Available: EPDM, Silicone, Viton

Consult Midwest Control for Pricing

Part No.	Size
<b>Check Valves Without Springs</b>	
0710-100	1
0710-125	1-1/4
0710-150	1-1/2
0710-200	2
0710-250	2-1/2
0710-300	3
0920-400	4
0920-600	6
0920-800	8
<b>Check Valves With Springs</b>	
071-OSP-100	1
071-OSP-125	1-1/4
071-OSP-150	1-1/2
071-OSP-200	2
071-OSP-250	2-1/2
071-OSP-300	3
092-OSP-400	4
092-OSP-600	6
092-OSP-800	8

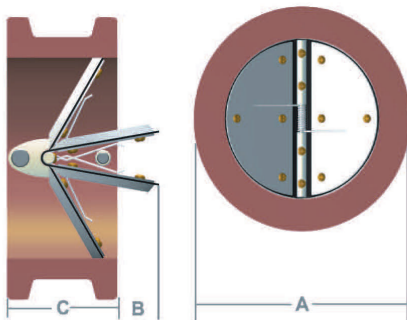
## US Valve Check Valves

### Dimensional Data



**0710 & 0710-OSP Series**

0710 & 0710-OSP Series			
Valve Size	A (O.D.)	B	C
1	1.3	3.5	1.6
1-1/4	1.7	3.5	2.0
1-1/2	1.9	4.0	2.3
2	2.4	4.0	2.8
2-1/2	2.9	5.0	3.3
3	3.5	5.5	3.9



**0920 & 0920-OSP Series**

0920 & 0920-OSP Series			
Valve Size	A (O.D.)	B	C
4	6.7	0.9	2.4
6	8.7	1.5	3.4
8	11.0	2.3	4.4