

SQUARE " D" PRESSURE & VACUUM SWITCHES



9013FHG Series (Up to 230 PSI)

Application: Used to Regulate the Tank Pressure Between Two Preset Values on Small Electrically Driven Air Compressors



- UL Listed CSA Certified RoHS Compliant
- NEMA 1 Enclosure, Optional 3R Enclosure Available, Rated for Both 50/60Hz Operation
- Adjustable Cut Out Pressure, Fixed Differential
- Contacts Open On Pressure Rise
- Electrical Connection: 2 1/2" NPT Conduit Entries
- 1/4 Female NPT Standard, Other Options Available
- Diaphragm Actuated
- 2 Pole Snap Action Contacts
- Feature Drift Proof Cut In and Cut Out Settings
- Easy Inspection With Vertical Contacts
- Extra Strong Frame That Resists Distortion When Mounting the Switch to a Compressor
- Temperature Range : -22 ° F to 257 ° F

Optional Accessories

- Auto - Off Disconnect Lever is Available for Manual Cut Off of the Compressor
- 2 Way Pressure Relief Valve (Unloader) Releases Head Pressure On the Compressor Upon Cut Off At the Switch
- Optional 4 Port Manifold Provides a Means for Easy Mounting of Relief Valves & Gauges
- Four Port Manifold

9013GHG Series (Up to 300PSI)

Application: Used to Regulate the Tank Pressure Between Two Preset Values on Small Electrically Driven Air Compressors



- UL Listed CSA Certified RoHS Compliant
- NEMA 1 Enclosure, Optional NEMA 3R & NEMA 4 Enclosure Available
- Rated for Both 50/60Hz Operation
- Adjustable Cut Out Pressure, Adjustable Differential
- Contacts Open On Pressure Rise
- Easy Inspection With Vertical Contacts
- Electrical Connection: 2 1/2" NPT Conduit Entries
- 3/8 Female NPT Standard, Other Options Available

- Diaphragm Actuated
- 2 Pole Snap Action Contacts
- Feature Drift Proof Cut In and Cut Out Settings
- Extra Strong Frame That Resists Distortion When Mounting the Switch to a Compressor
- Temperature Range : -22 ° F to 257 ° F

Optional Accessory

- 2 Way Pressure Relief Valve (Unloader) Releases Head Pressure On the Compressor Upon Cut Off At the Switch

9013FHG SQUARE D PRESSURE SWITCHES (Smaller Hp)		
Part No.	Factory Setting (PSI)	Differential (PSI)
9013FHG-2J27	80-100	20
9013FHG-12J52	95-125	30
9013FHG-42J55	110-150	40
9013FHG-42J59	135-175	40
With Lever		
9013FHG-2J27M1	80-100	20
9013FHG-12J52M1	95-125	30
9013FHG-42J55M1	110-150	40
9013FHG-42J59M1	135-175	40
With Unloader		
9013FHG-2J27X	80-100	20
9013FHG-12J52X	95-125	30
9013FHG-42J55X	110-150	40
9013FHG-42J59X	135-175	40
With Lever and Unloader		
9013FHG-2J27M1X	80-100	20
9013FHG-12J52M1X	95-125	30
9013FHG-42J55M1X	110-150	40
9013FHG-42J59M1X	135-175	40
With Lever, Unloader and 4 Port Manifold		
9013FHG-4J27M1X	80-100	20
9013FHG-14J52M1X	95-125	30
9013FHG-44J55M1X	110-150	40
9013FHG-44J59M1X	135-175	40

Options (for Pages 2 & 3)	
X	Unloader
M1	On Off Lever (Manual)
M1X	Unloader & On Off Lever
M1X**	Unloader/On Off Lever & 4 Port Manifold
** See Details On Page 4	

See Chart On Page 4 For Pressure Switch Hp Rating

9013FHG SQUARE D PRESSURE SWITCHES (Larger Hp)		
Part No.	Factory Setting (PSI)	Differential (PSI)
9013FHG-22J27	80-100	20
9013FHG-32J52	95-125	30
9013FHG-52J55	110-150	40
9013FHG-52J59	135-175	40
With Lever		
9013FHG-22J27M1	80-100	20
9013FHG-32J52M1	95-125	30
9013FHG-52J55M1	110-150	40
9013FHG-52J59M1	135-175	40
With Unloader		
9013FHG-22J27X	80-100	20
9013FHG-32J52X	95-125	30
9013FHG-52J55X	110-150	40
9013FHG-52J59X	135-175	40
With Lever and Unloader		
9013FHG-22J27M1X	80-100	20
9013FHG-32J52M1X	95-125	30
9013FHG-52J55M1X	110-150	40
9013FHG-52J59M1X	135-175	40
With Lever, Unloader and 4 Port Manifold		
9013FHG-24J27M1X	80-100	20
9013FHG-34J52M1X	95-125	30
9013FHG-54J55M1X	110-150	40
9013FHG-54J59M1X	135-175	40

H.P. & Electrical Sizing Chart (Smaller Hp)				
9013FHG 2, 4, 9, 12, 13, 14, 19, 42, 43, 44, 49				
Voltage	Single Phase AC	Poly Phase AC	DC	Control Circuit Rating
115V	1-1/2hp	2hp	1/4hp	A600
230V	2hp	3hp	1/4hp	
460/575V		1hp		

H.P. & Electrical Sizing Chart (Larger Hp)				
9013FHG 22, 29, 32, 33, 34, 39, 52, 54, 59				
Voltage	Single Phase AC	Poly Phase AC	DC	Control Circuit Rating
115V	2hp	3hp	1/2hp**	A600
230V	3hp	5hp	1/2hp**	
460/575V		1hp		

** 1/4hp with M1 (Lever) Feature



9013GHG SQUARE D PRESSURE SWITCHES

Part No.	Factory Setting (PSI)
9013GHG-3J53	100-125
9013GHG-6J53	100-125
9013GHG-3J56	110-150
9013GHG-6J56	110-150
9013GHG-3J57	120-150
9013GHG-6J57	120-150
With Unloader	
9013GHG-3J53X	100-125
9013GHG-6J53X	100-125
9013GHG-3J56X	110-150
9013GHG-6J56X	110-150
9013GHG-3J57X	120-150
9013GHG-6J57X	120-150

	Cut In (PSI)	Cut Out (PSI)	Adjustable Differential (PSI)
G3	40-170	65-200	20-40
G6	32-215	80-250	24-45

9013GHG H.P. & Electrical Sizing Chart				
Voltage	Single Phase AC	Poly Phase AC	DC	Control Circuit Rating
115V	2hp	3hp	1hp	A600
230V	3hp	5hp	1hp	
460/575V	5hp	5hp		

9013FHG Model Number Explanation Chart					
9013	FH	G	2	J27	Option
Class	Air Compressor Switches 230 PSI Max	Enclosure G= NEMA 1 W = NEMA 3R (Rainproof)	Hp Rating Connection Differential Pressure Range See Table 1	Cut Off Code See Table 2	X = Unloader M1 = On Off Lever M1X = Unloader & On Off Lever M1X* = Unloader, On Off Lever & 4 Port Manifold See Table 1 for Additional Details

TABLE 1

Defines Hp Pressure Differential and Pressure Range				
Less 2Hp	2 Hp & Higher	Connection	Differential (PSI)	Pressure Range (PSI)
2	22	1/4 FNPT	20	40-100
4	24	Four Way Flange (Manifold)		
12	32	1/4 FNPT	30	70-150
14	34	Four Way Flange (Manifold)		
42	52	1/4 FNPT	40	100-200
44	54	Four Way Flange (Manifold)		

TABLE 2

Factory Setting		
Code	Cut In	Cut Off
J27	80 PSI	100 PSI
J52	95 PSI	125 PSI
J55	110 PSI	150 PSI
J59	135 PSI	175 PSI

Note the 9013FHG Switch Has An Adjustable Cut Out Setting, But the Differential is Fixed

9013GHG Model Number Explanation Chart				
9013	GH	G	3	J27
Class	Air Compressor Switches 300 PSI Max	Enclosure G= NEMA 1 B = NEMA 3R (Rainproof) W = NEMA 4 (Watertight)	See Table 3	Factory Setting See Table 4

Note the 9013GHG Switch Has Both An Adjustable Cut Out Setting and Differential Setting

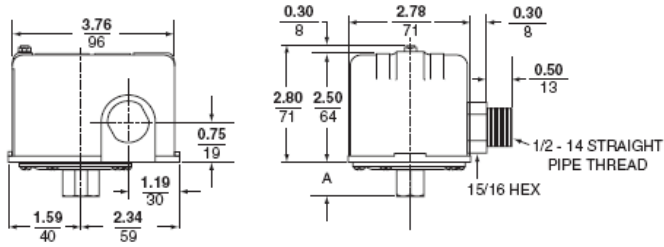
TABLE 3

Code	Connection	Cut In	Cut Out	Adjustable Differential
3	3/8 FNPT	40-170	65-200	20-40
6	3/8 FNPT	32-215	80-250	24-45

TABLE 4

Code	Close Open
J53	100-125
J56	110-150
J57	120-150

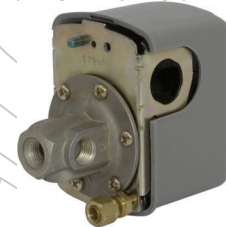
Dimensional Drawings & Replacement Parts



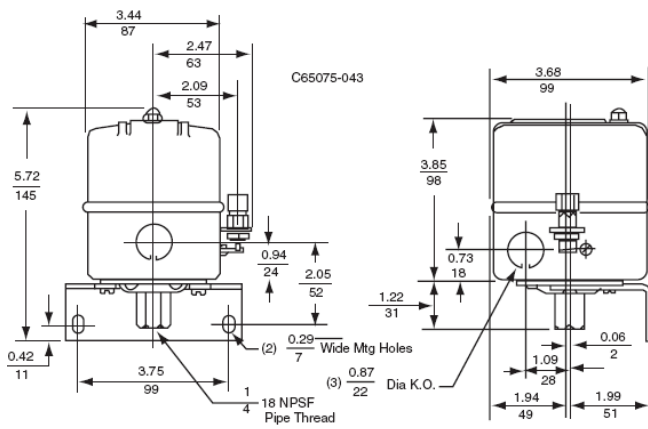
9013FHG Dimensional Data A	
FHG2, 12, 22, 32, 42, 52,	29/32
FHG3, 13, 33,	1-9/32
FHG9, 19, 29, 39, 49, 59	1-3/32



**9013FHG
With On Off Lever**



**9013FHG
With 4 Port Manifold**



NOTE: Mounting Bracket shown is available as a Class 9049 Type A-52 Kit



9013GHG

9013GHG Dimensional Drawing

Replacement Unloaders	
Part No.	Model
9049A56	9013FHG
9049A12	9013GHG



SQUARE "D" Vacuum Switches

Application: Used to Regulate the Tank Pressure Between Two Preset Values on Small Electrically Driven Vacuum Pumps



- UL Listed CSA Certified RoHS Compliant
- NEMA 1 Enclosure, Optional 3R Enclosure Available, Rated for Both 50/60Hz Operation
- Adjustable Cut Out Pressure, Fixed Differential
- Contacts Open On Pressure Rise
- Electrical Connection: 2 1/2" NPT Conduit Entries
- 1/4 FNPT Standard Connection
- Diaphragm Actuated
- 2 Pole Snap Action Contacts SPDT
- Feature Drift Proof Cut In and Cut Out Settings
- Easy Inspection With Vertical Contacts
- Extra Strong Frame That Resists Distortion When Mounting the Switch to a Vacuum Pump
- Temperature Range : -22°F to 257°F

Part No.
9016-GVG-1-J13

Cut Out Range	Approx. Adjustable Differential	Cut In Range	Poles	Connection
5-25" Hg	5-10" Hg	0-20" Hg	2	1/4" FNPT

H.P. & Electrical Sizing Chart				
9016				
Voltage	Single Phase AC	Poly Phase AC	DC	Control Circuit Rating
110V	2hp	3hp	1hp	A600
220V	3hp	5hp	1hp	
440/550V	5hp	5hp		
32 V			1/2hp	

Code	Setting
J09	3Hg - 8Hg
J10	16.5Hg - 25Hg
J11	17Hg - 22Hg
J12	18Hg - 23Hg
J13**	20Hg - 25Hg

** Stock Setting

Effective 05-2011

69JF Series /9013FHG				69JG Series /9013FHG			
Hubbell No.	Square D No.	Setting	Differential	Hubbell No.	Square D No.	Setting	Differential
69JF6	9013FHG-2J27	80-100	20	69JG6	9013FHG-22J27	80-100	20
69JF7	9013FHG-12J52	95-125	30	69JG7	9013FHG-32J52	95-125	30
69JF8	9013FHG-42J55	110-150	40	69JG8	9013FHG-52J55	110-150	40
69JF9	9013FHG-42J59	135-175	40	69JG9	9013FHG-52J59	135-175	40
With Lever							
69JF6L	9013FHG-2J27M1	80-100	20	69JG6L	9013FHG-22J27M1	80-100	20
69JF7L	9013FHG-12J52M1	95-125	30	69JG7L	9013FHG-32J52M1	95-125	30
69JF8L	9013FHG-42J55M1	110-150	40	69JG8L	9013FHG-52J55M1	110-150	40
69JF9L	9013FHG-42J59M1	135-175	40	69JG9L	9013FHG-52J59M1	135-175	40
With Unloader							
69JF6Y	9013FHG-2J27X	80-100	20	69JG6Y	9013FHG-22J27X	80-100	20
69JF7Y	9013FHG-12J52X	95-125	30	69JG7Y	9013FHG-32J52X	95-125	30
69JF8Y	9013FHG-42J55X	110-150	40	69JG8Y	9013FHG-52J55X	110-150	40
69JF9Y	9013FHG-42J59X	135-175	40	69JG9Y	9013FHG-52J59X	135-175	40
With Lever and Unloader							
69JF6LY	9013FHG-2J27M1X	80-100	20	69JG6LY	9013FHG-22J27M1X	80-100	20
69JF7LY	9013FHG-12J52M1X	95-125	30	69JG7LY	9013FHG-32J52M1X	95-125	30
69JF8LY	9013FHG-42J55M1X	110-150	40	69JG8LY	9013FHG-52J55M1X	110-150	40
69JF9LY	9013FHG-42J59M1X	135-175	40	69JG9LY	9013FHG-52J59M1X	135-175	40
With Lever, Unloader and 4 Port Manifold							
69JF6LY2C	9013FHG-4J27M1X	80-100	20	69JG6LY2C	9013FHG-24J27M1X	80-100	20
69JF7LY2C	9013FHG-14J52M1X	95-125	30	69JG7LY2C	9013FHG-34J52M1X	95-125	30
69JF8LY2C	9013FHG-44J55M1X	110-150	40	69JG8LY2C	9013FHG-54J55M1X	110-150	40
69JF9LY2C	9013FHG-44J59M1X	135-175	40	69JG9LY2C	9013FHG-54J59M1X	135-175	40

Hubbell No.	Square D
69HA1, 69HA2,	9013FHG (Larger HP Series) Or 9013GHG Series Depending On Hp and Voltage Requirements. See Hp and Pressure Range Charts on Page 4
69HAU1, 69HAU2 (With Unloader)	9013FHG (Larger HP Series) Or 9013GHG Series Depending On Hp and Voltage Requirements. See Hp and Pressure Range Charts on Page 4 Square D Models with "X" Suffix Will Include Unloaders