

**CSL
Replacement Vacuum
Filter Elements**



Replacement Paper Elements	Replacement Polyester Paper Elements
Part No.	Part No.
824	825
842	843
848	849
850	851
238	239

TECHNICAL DATA

Compact Inlet Vacuum Inlet Filters With Polyester Elements

Applications & Equipment

- Vacuum Pumps, P.D. Side Channel Blowers, Rotary Vane, Screw and Piston Vacuum Pumps
- Vacuum Packaging Equipment
- Vacuum Lifters, Intake Suction Filters
- Pneumatic Conveying Systems, Soil Venting/Remediation
- Remote Installations for Piston and Screw Compressors
- Printing Industry, Factory Automation Equipment
- Leak Detection Systems, Woodworking , Medical Vacuum Pumps

Features

- **Polyester: 99%+ Removal Efficiency Standard to 5 Micron**
- Vacuum Level: 1×10^{-3} mmHg (1.3×10^{-3} mbar)
- Polyester: 99%+ Removal Efficiency Standard to 5 Micron
- Brazed Fittings for High Vacuum Duty
- Stainless Steel Torsion Clip for Durability
- Low Pressure Drop
- All Steel Construction W/Baked Enamel Finish & Seamless Drawn Housings
- Temperature: -15 °F to 200 °F
- Large Dirt Holding Capacity and Easy Field Cleaning Especially When Mounted Horizontally or Inverted



Part No. With Polyester Element	FPT (Inlet & Outlet)	Nominal Rating SCFM	Element Rating SCFM
Polyester Elements			
CSL-825-039HC	3/8	18	25
CSL-825-050HC	1/2	18	25
CSL-843-050HC	1/2	20	55
CSL-825-075HC	3/4	24	25
CSL-843-100HC	1	35	55
CSL-843-125HC	1-1/4	55	55
CSL-849-150HC	1-1/2	80	115
CSL-851-200HC	2	175	290
CSL-851-250HC	2-1/2	210	290
CSL-239-300C**	3	300	570

**1/4" Taps Standard On Inlet and Outlet

Compact Inlet Vacuum Filters With Paper Elements

Applications & Equipment

- Vacuum Pumps, P.D. Side Channel Blowers, Rotary Vane, Screw and Piston Vacuum Pumps
- Vacuum Packaging Equipment
- Vacuum Lifters, Intake Suction Filters
- Pneumatic Conveying Systems, Soil Venting/Remediation
- Remote Installations for Piston and Screw Compressors
- Printing Industry, Factory Automation Equipment
- Leak Detection Systems, Woodworking, Medical Vacuum Pumps

Features

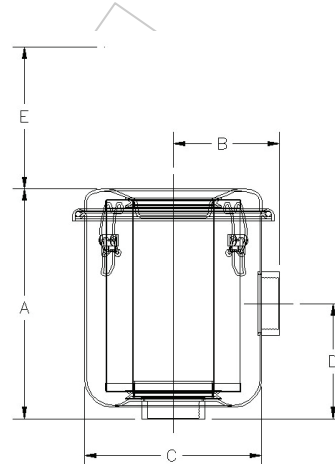
- **Paper: 99%+ Removal Efficiency Standard to 2 Micron**
- Vacuum Level: 1×10^{-3} mmHg (1.3×10^{-3} mbar)
- Brazed Fittings for High Vacuum Duty
- Stainless Steel Torsion Clip for Durability
- Low Pressure Drop
- All Steel Construction W/Baked Enamel Finish & Seamless Drawn Housings
- Temperature: -15 °F to 200 °F
- Large Dirt Holding Capacity and Easy Field Cleaning Especially When Mounted Horizontally or Inverted



Part No. With Paper Element	FPT (Inlet & Outlet)	Nominal Rating SCFM	Element Rating SCFM
Paper Elements			
CSL-824-039HC	3/8	18	25
CSL-824-050HC	1/2	18	25
CSL-842-050HC	1/2	20	55
CSL-824-075HC	3/4	24	25
CSL-842-100HC	1	35	55
CSL-842-125HC	1-1/4	55	55
CSL-848-150HC	1-1/2	80	115
CSL-850-200HC	2	175	290
CSL-850-250HC	2-1/2	210	290
CSL-238-300C **	3	300	570

**1/4" Taps Standard On Inlet and Outlet

Dimensional Data For Compact Inlet Vacuum Filters



Part No. With Polyester Element	Part No. With Paper Element	FPT (Inlet & Outlet)	Nominal Rating SCFM	Element Rating SCFM	A (In)	B (In)	C (In)	D (In)	E (In)
Mini Filter Housings with Cloth Elements									
CSL-825-039HC	CSL-824-039HC	3/8	18	25	3-5/8	2-1/4	3-3/4	1-7/8	3
CSL-825-050HC	CSL-824-050HC	1/2	18	25	3-5/8	2-1/4	3-3/4	1-7/8	3
CSL-843-050HC	CSL-842-050HC	1/2	20	55	4-3/8	3	5-7/8	2-1/2	3-1/4
CSL-825-075HC	CSL-824-075HC	3/4	24	25	3-3/4	2-1/4	3-3/4	1-7/8	3
CSL-843-100HC	CSL-842-100HC	1	35	55	4-3/8	3-1/4	5-7/8	2-5/8	3-1/4
CSL-843-125HC	CSL-842-125HC	1-1/4	55	55	4-3/8	3-1/4	5-7/8	2-5/8	3-1/4
CSL-849-150HC	CSL-848-150HC	1-1/2	80	115	6-3/4	4-1/8	7-5/16	4-1/2	5-1/4
CSL-851-200HC	CSL-850-200HC	2	175	290	10-1/4	4-9/16	8-3/4	5	9-1/4
CSL-851-250HC	CSL-850-250HC	2-1/2	210	290	10-1/2	5-1/8	8-3/4	5-1/2	9-1/4
CSL-239-300C	CSL-238-300C	3	300	570	15-3/4	8-7/8	13-1/4	8-3/4	11