

The ultimate filtration & drying technology

Water Separators



Bulk water can be found in all compressed air systems. This can be very costly, resulting in corrosion, damage to tools and machinery downtime.

Walker Filtration manufactures a range of water separators to remove up to 99% of bulk water. This highly efficient product enhances the reliability of compressed air systems, eliminating the problem of costly downtime.

Significantly reduces maintenance costs

The unique fins on the centrifugal module have been custom engineered using the latest CFD software to identify and eliminate points of low efficiency, ensuring excellent liquid removal even at low flow velocities.

The shield at the bottom of the module prevents re-entrainment of separated water and creates a calm zone allowing for modified drainage options

Exceptional performance levels

1/4" to 3" threaded housings are manufactured in robust cast aluminum alloy with a corrosion protective Walker E-Coat™ finish.

No replacement components are required, making Walker Filtration's water separators a viable and cost effective solution.

Ideal for use with variable speed compressors



www.walkerfiltration.com



Applications include:

Electronics

Instrumentation

Laboratories

Manufacturing

Automotive and Robots

Oil & Gas

Paint Applications

Pneumatic Conveying



WALKER
FILTRATION

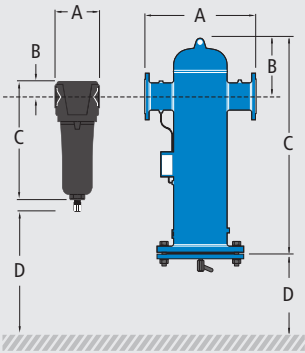
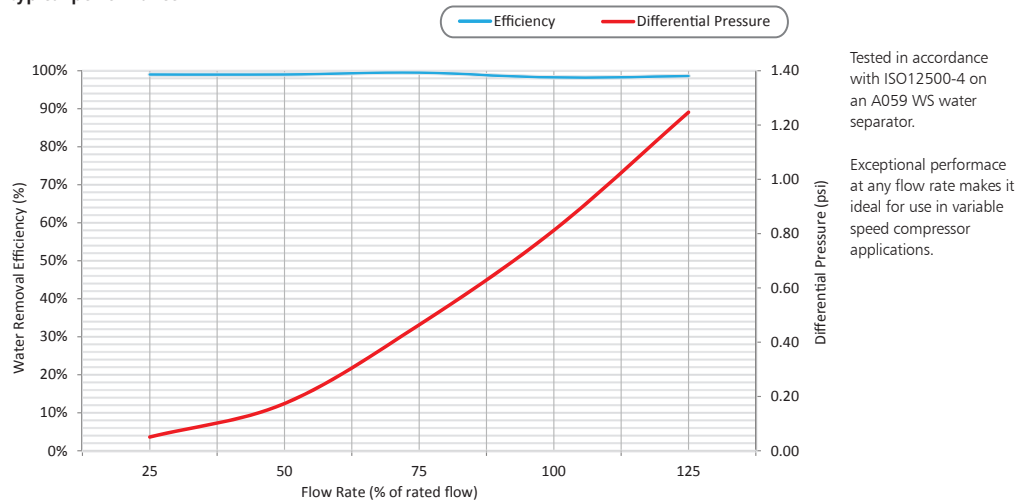
Technical Specification

filter model	pipe size	flow rate		dimensions inches (mm)				weight		
		SCFM	Nm ³ /h	A	B	C	D	lbs	Kg	
A028 WS	¼	25	42	2.75 (70)	0.98 (25)	7.52 (191)	3.54 (90)	1.5	0.7	
A038 WS	⅜	35	59	2.75 (70)	0.98 (25)	7.52 (191)	3.54 (90)	1.5	0.7	
A058 WS	½	50	85	2.75 (70)	0.98 (25)	7.52 (191)	3.54 (90)	1.5	0.7	
A059 CWS	½	70	119	3.94 (100)	1.38 (35)	8.27 (210)	3.54 (90)	1.5	0.7	
A059 WS	½	70	119	3.94 (100)	1.38 (35)	10.87 (276)	4.33 (110)	3.3	1.5	
A078 WS	¾	125	212	3.94 (100)	1.38 (35)	10.87 (276)	4.33 (110)	3.3	1.5	
A108 WS	1	175	297	3.94 (100)	1.38 (35)	10.87 (276)	4.33 (110)	3.3	1.5	
A128 CWS	1¼	280	476	4.80 (122)	1.65 (42)	14.96 (380)	5.90 (150)	5.1	2.3	
A128 WS	1¼	280	476	4.80 (122)	1.65 (42)	18.11 (460)	5.90 (150)	5.5	2.5	
A158 CWS	1½	320	545	4.80 (122)	1.65 (42)	14.96 (380)	5.90 (150)	5.1	2.3	
A158 WS	1½	320	545	4.80 (122)	1.65 (42)	18.11 (460)	5.90 (150)	5.5	2.5	
A159 WS	1½	400	680	5.75 (146)	2.05 (52)	18.98 (482)	7.09 (180)	8.8	4	
A208 WS	2	700	1189	5.75 (146)	2.05 (52)	18.98 (482)	7.09 (180)	8.8	4	
A254 WS	2½	850	1445	8.27 (210)	2.60 (67)	23.43 (595)	7.87 (200)	18.7	8.5	
A340 WS	3	1500	2549	8.27 (210)	2.60 (67)	23.43 (595)	7.87 (200)	18.7	8.5	
NA300 WS	3 Flg	1500	2549	16.00 (406)	8.41 (214)	46.04 (1169)	N/A	215	98	
NA400 WS	4 Flg	2100	3568	18.00 (457)	10.69 (272)	49.08 (1247)	N/A	326	148	
NA600 WS	6 Flg	4200	7136	20.50 (521)	13.03 (331)	52.97 (1345)	N/A	439	199	
NA800 WS	8 Flg	8400	14272	24.00 (610)	15.41 (391)	54.23 (1377)	N/A	647	293	
NA1000 WS	10 Flg	12600	21407	28.00 (711)	18.65 (474)	59.53 (1512)	N/A	936	425	
NA1200 WS	12 Flg	16100	27354	On Application						

* The CWS range has a shorter bowl for compact installations

Model	A028 WS-A340 WS		NA300 WS-NA1200 WS	
Maximum recommended operating temperature	248°F	120°C	250°F	121°C
Minimum recommended operating temperature	35°F	1.7°C	35°F	1.7°C
Maximum working pressure	232 psig	16 barg	235 psig	16 barg

typical performance



A028 WS to A340 WS

NA300 WS to NA1200 WS

technical notes

- Water Separators are fitted with float operated automatic drain valves. DVAS16C on models A028 WS to A058 WS and DVAS16 on models A059 CWS to A340 WS. When high quantities of liquid are anticipated, Walker Filtration recommend the use of electronic drain valves. ½" manual drain valves are fitted to NA300 WS to NA800 WS, ¾" fitted to NA1000 WS to NA1200 WS as standard.
- An additional ½" side entry port is included on models NA300 WS to NA800 WS, ¾" for NA1000 WS and NA1200 WS.
- A connecting kit is required to connect a water separator to filter models A028 to A340.